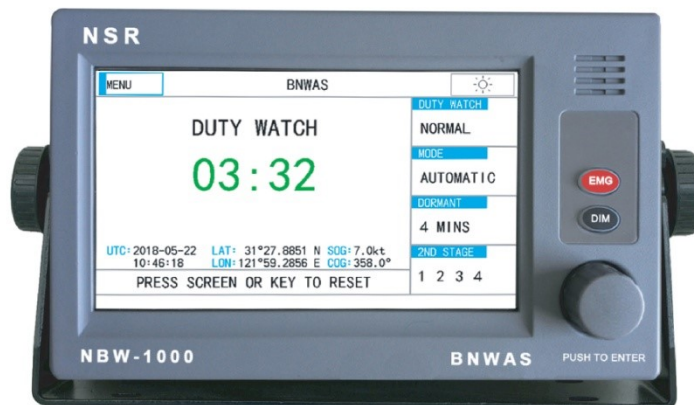
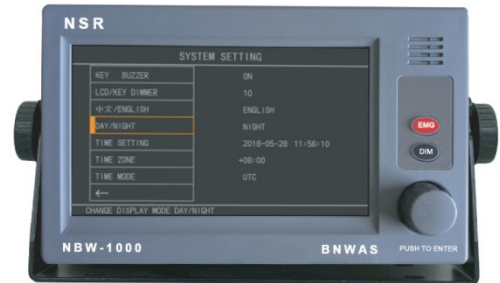


# NBW-1000

BNWAS (Bridge Navigational Watch Alarm System)

- Displayed with 7" Color LCD
- ON/OFF history record
- Alarm tone selectable
- Routine test available
- Password set by menu
- Port for INS connection
- Type approval with DNV-GL (MED) , CCS and VR



- Conforms to the latest rules, including IMO MSC.128 (75) , IEC62616.
- 7" Color LCD used in control unit.
- Automatically record ON/OFF history.
- Pre-stored tones selectable for alarm.
- Password used to set operation mode and dormant time.
- 2nd alarm units can be selected separately.
- Test function and emergency call available.

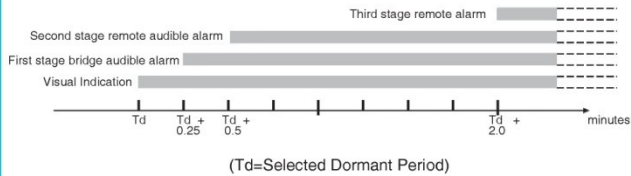


## SPECIFICATIONS

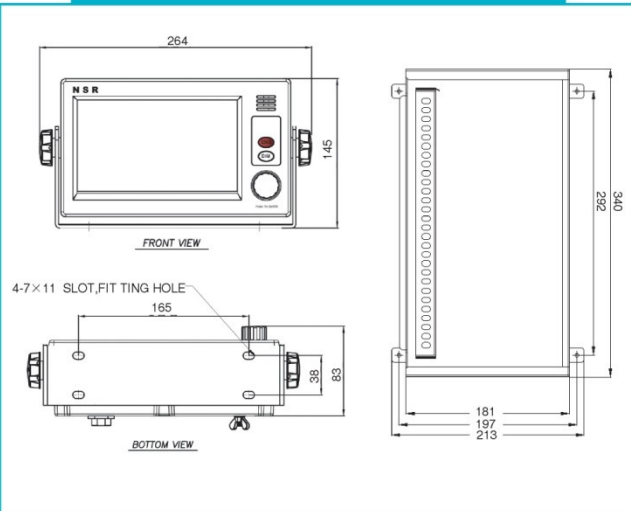
- **Mode:** Automatic, Manual, Off
- **Alarm:** Visual, 1<sup>st</sup> Stage Audio, 2<sup>nd</sup> Stage Audio, 3<sup>rd</sup> Stage Audio
- **Dormant:** 3~12 mins (selectable)
- **Accuracy:** ±5 s
- **Sound:** 75~85dB (A)
- **Power Input:** DC24V/AC220V
- **Input Port:** RS422×1 port, Reset ON/OFF×9 CH
- **Output Port:** RS422×1 port, Alarm×10 CH, Failure Output×1 CH
- **IP Grade:** IP22 (Control Unit, Junction Box, Alarm Unit)  
IP56 (Reset Unit)

## WATCH ALARM CHART

Alarm sequence without acknowledgements



## SIZE DIMENSION



## EQUIPMENT LIST

- **STANDARD**
  - Control Unit NBW-1000 1 unit
  - Junction Box NBW-1050J 1 unit
  - Reset Unit NBW-1090R 1-4 unit
  - Alarm Unit NBW-1010A 1-10 unit
  - Accessories 1 set
- **OPTIONS**
  - Motion Detector NBW-1090P
  - Flush Mount Brackets for Control Unit

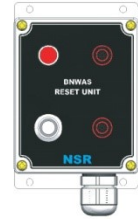
Junction Box



Alarm Unit



Reset Unit



Motion Detector

